



PAL 2000TM

Self contained wet-niche LED light
with Color Touch Technology
for fiberglass pools

FEATURES:



No bonding,
no grounding,
no J. box



Color Touch &
switch modes
available



RF Control



Wi-Fi Control-
apps available



Even glow,
no shadow



US and
Canadian
approved

PAL

2000™

Color Control

Control color, speed, brightness and modes

Wireless Touch

Wi-Fi tablets and smartphones

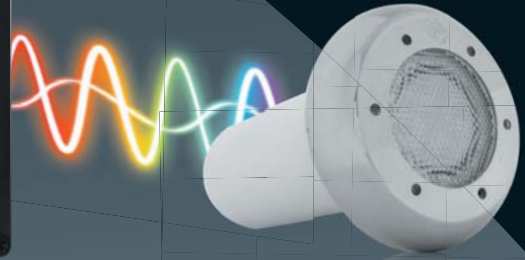
Color Touch Technology

Memory Recall

Remembers last color, speed and brightness

Auto Sync

Automatic sync of your PAL™ lights every time



APPLE OR ANDROID DEVICES

Operating dist: 150 - 200feet

RF HANDSET

Part No: PCT-1
Operating dist: 150 - 200feet

RECEIVER/DRIVER

Part No: PCR-4U
50watts / 12volts
Wi-Fi and RF
IP 65
UL listed

PAL 2000™

Part No: PAL-2L4
3.5watts
50,000 hour life
UL listed

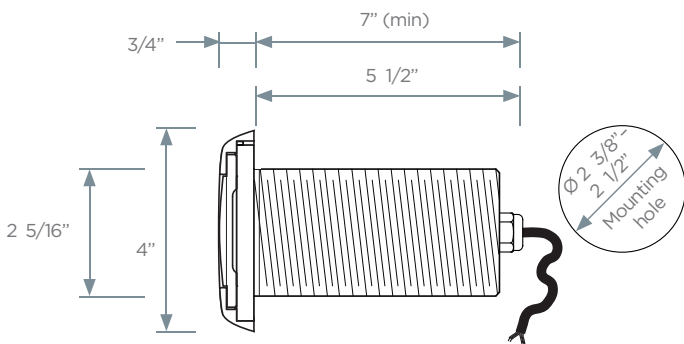
ACCESSORIES

Changeable lamps for upgrades and replacement
316 stainless steel covers

System Link

Allows you to link multiple systems for home and pool automation

DIMENSIONAL DETAILS



PART NUMBERS

Color Touch	Code
PAL-2L4 with LAU-4 LED lamp and 79feet of cable	42-2L454LAU
PAL-2L4 with LAU-4 LED lamp and 150feet of cable	42-2L456LAU
Switch Mode	
PAL-2L with LAU-2 LED lamp and 79feet of cable	39-2L254LAU
PAL-2L with LAU-2 LED lamp and 150feet of cable	39-2L256LAU
Drivers/Transmitters/Wi-Fi	
PCR-4 Receiver/Driver class 2 power supply with PCT-1 hand held transmitter, wall holder & Wi-Fi ready but not fitted	42-PCR-4U
PCR-4 Receiver / Driver class 2 power supply with PCT-1 hand held transmitter, wall holder & fitted w/- PCW-1 Wi-Fi module to suit PAL-2T4 and PAL-2L4	42-PCR-4UW
Spare PCT-1 hand held transmitter w/- wall holder supplied with 2x 1.5volt batteries	42-PCT-1
Spare Wi-Fi module kit	42-PCTWF1



APPLE AND ANDROID APPS AVAILABLE AT ITUNES AND GOOGLE PLAY

Horizon™
Spa & Pool Parts, Inc.
Phone: 800.874.7727
Publication No. P42-32A